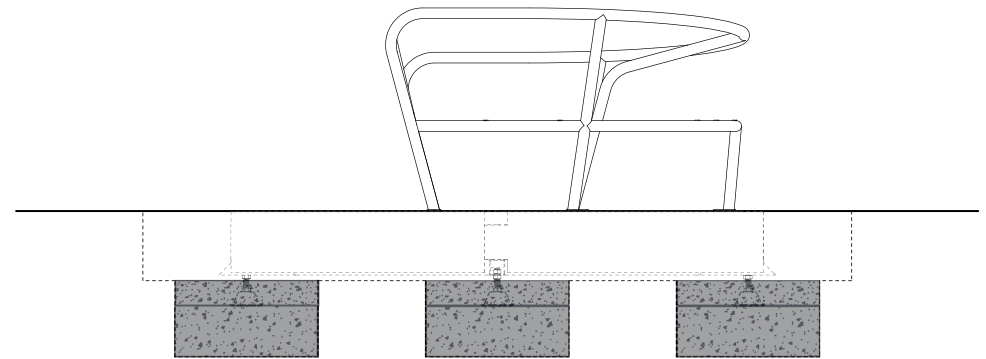
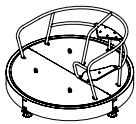


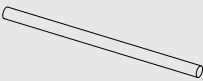
CC

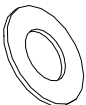


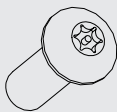
S33




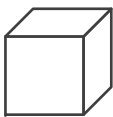
1 71401016  x1 315kg
4800x 1310 x 200mm


2 71403008  x1 0.06kg
Ø8x150


3 10309999  x4 0.002kg
M10 Ø11xØ30x2.5


4 10121030  x4 0.024kg
M10x30


S12 
kg
315


S15 
L x W x H (m)
Ø2104 x 803

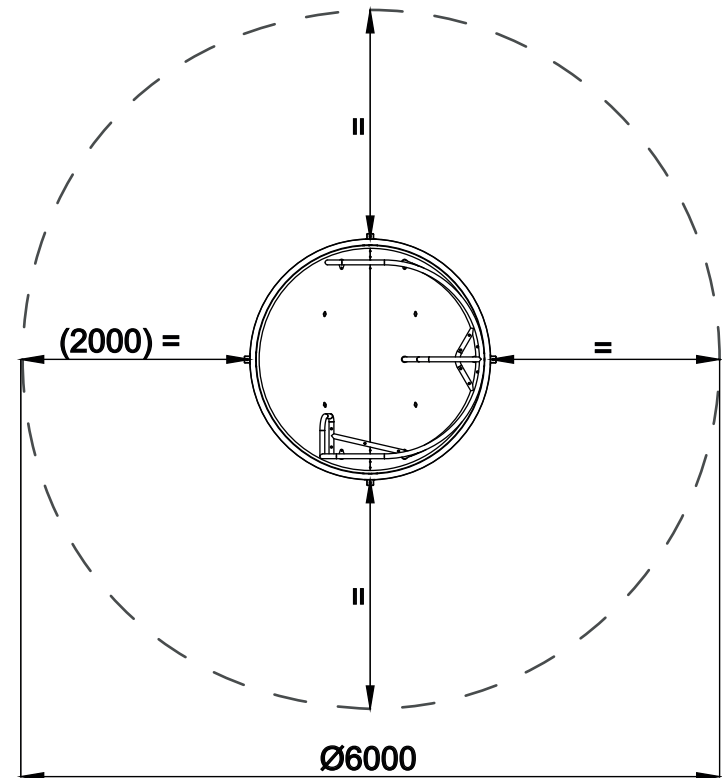
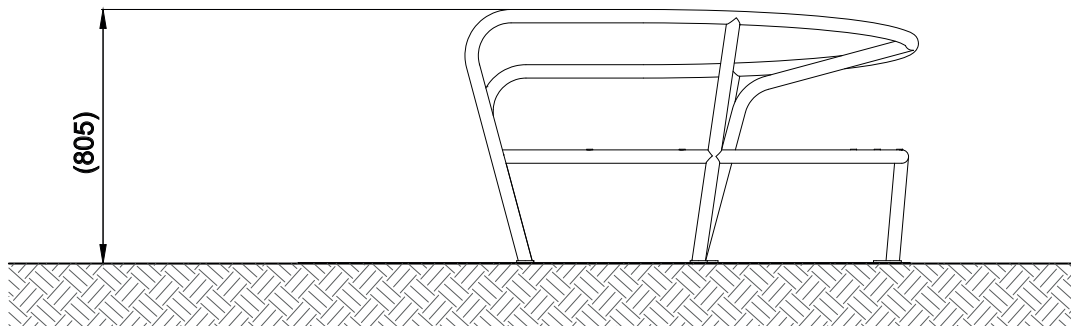
S13 
m³
0.2

S14 
m²
6.00 x 6.00

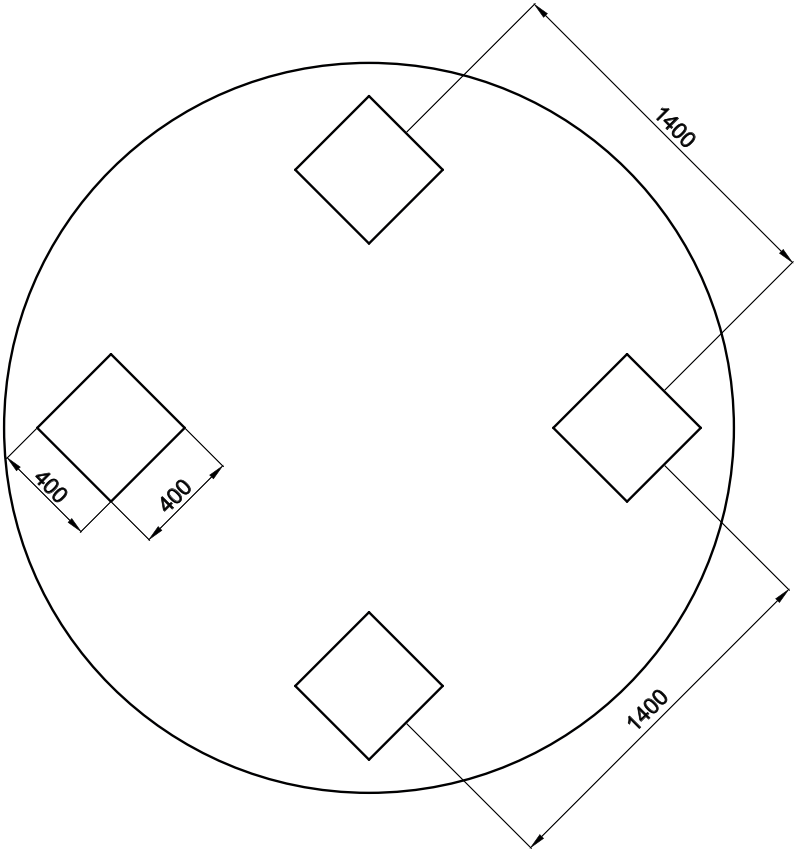
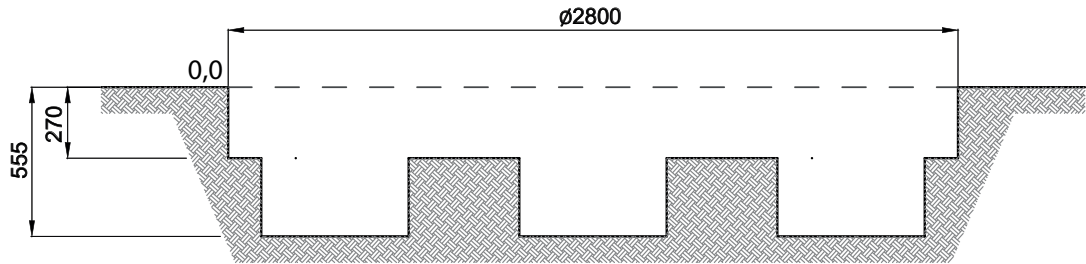
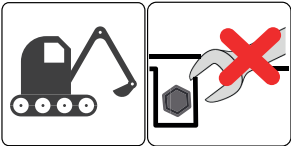
S6 
EN1176
1.0m

S20 
2 x 6

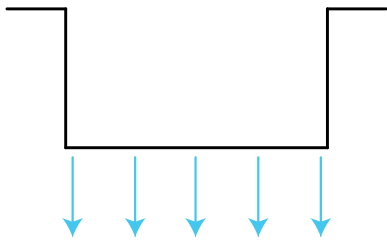
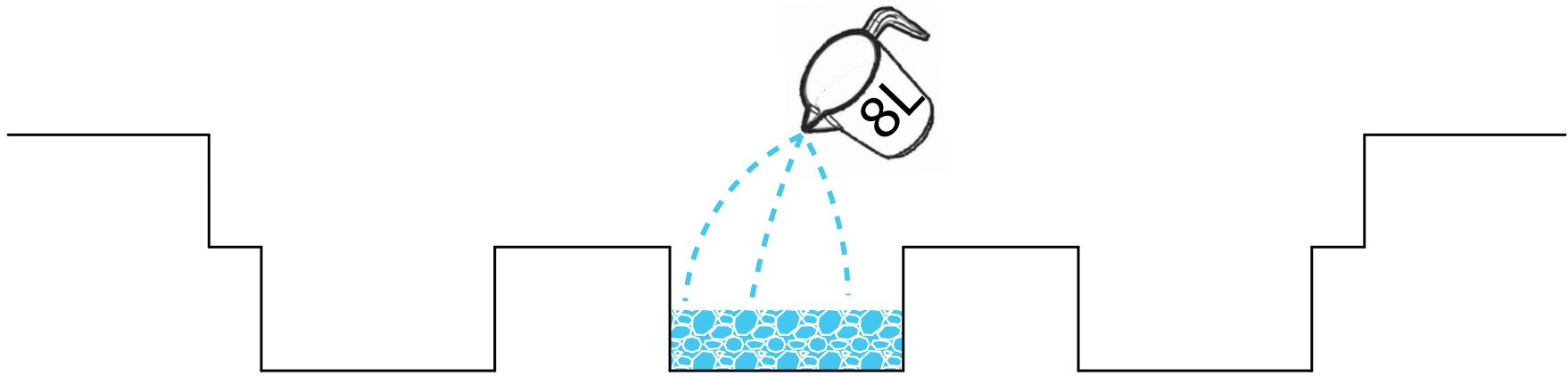
S24 
10121000 - TX45



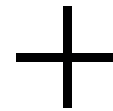
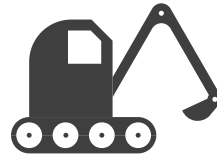
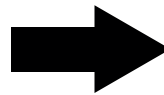
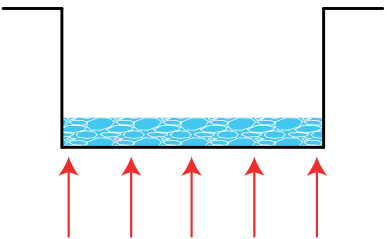
1



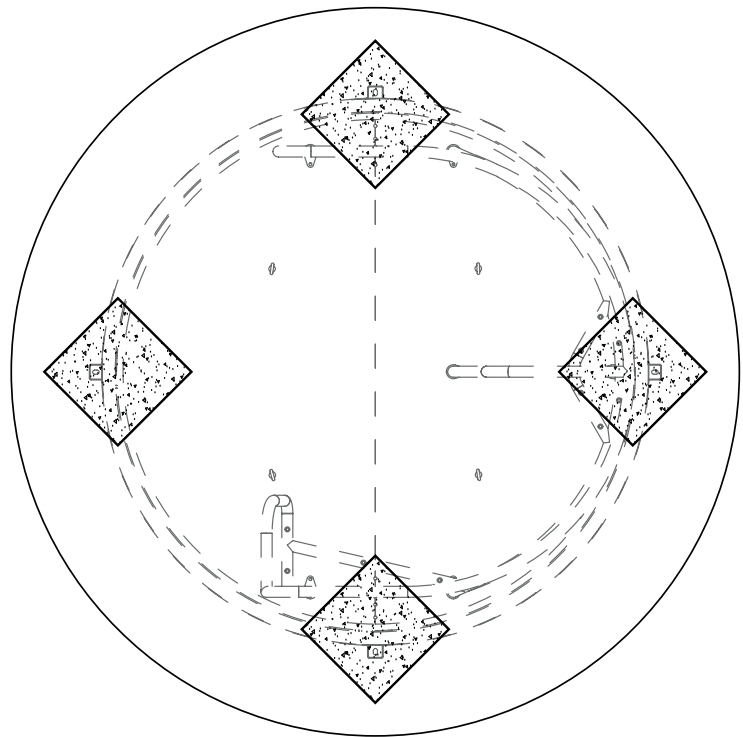
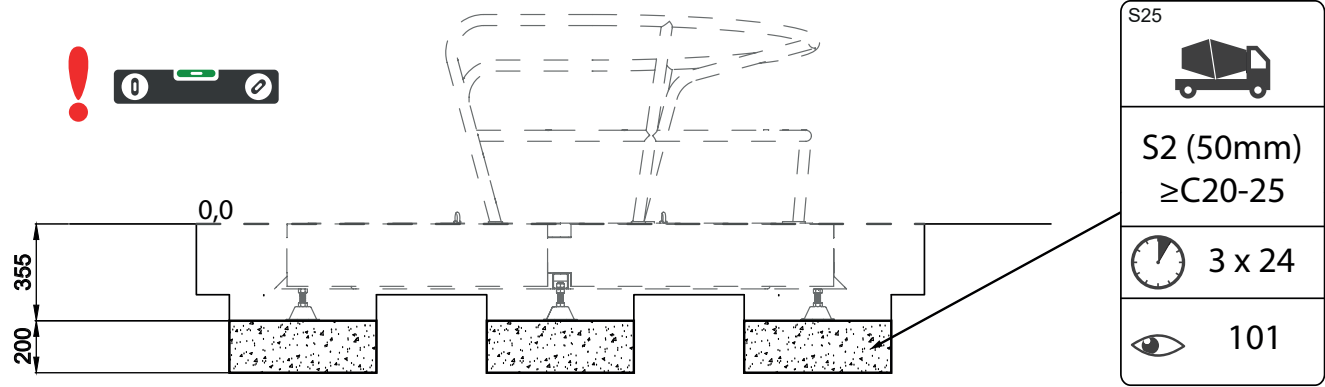
2



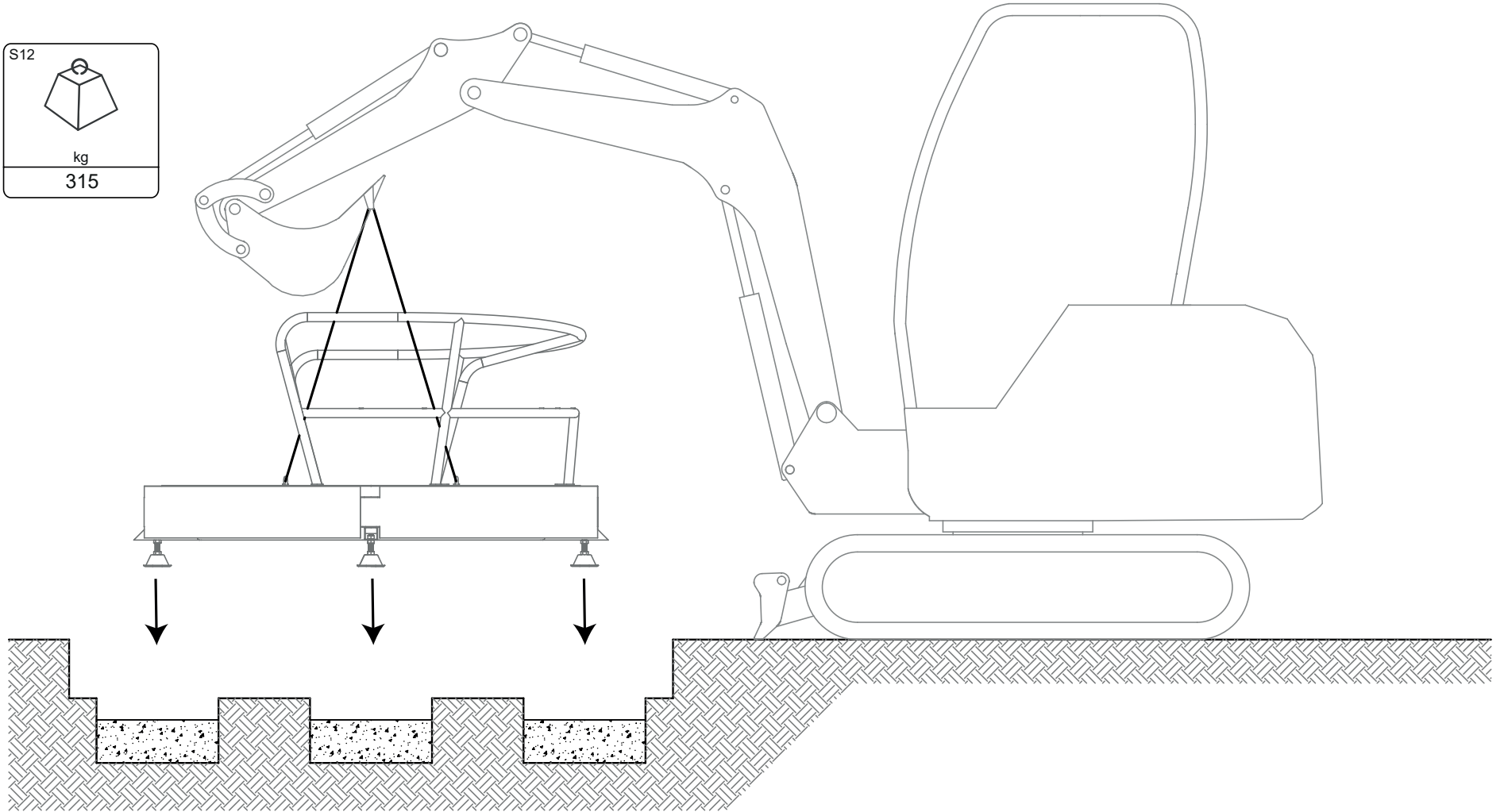
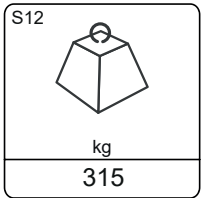
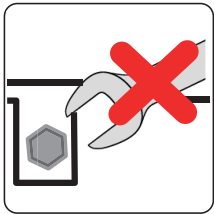
01:00:00



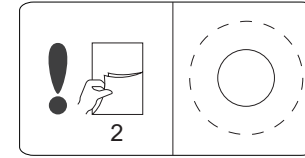
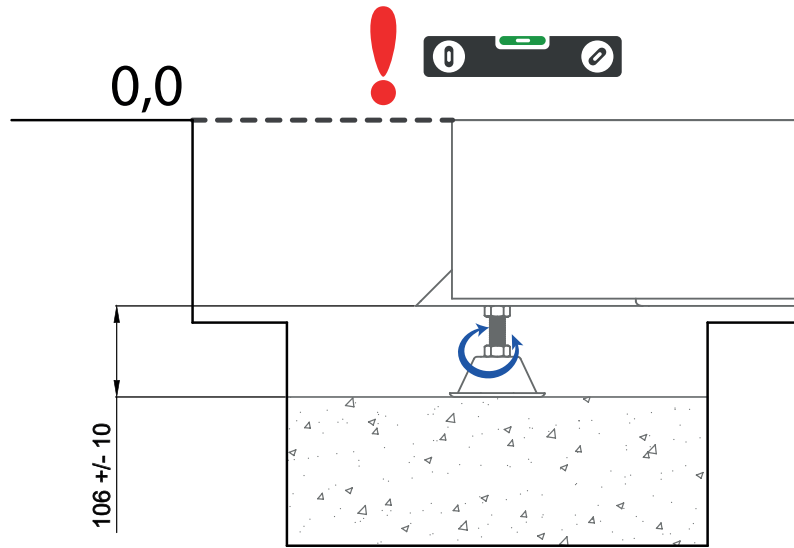
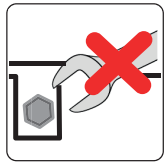
3



4

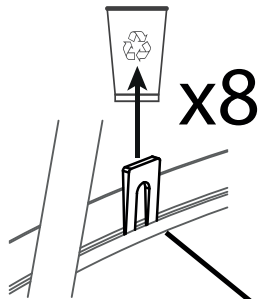


5

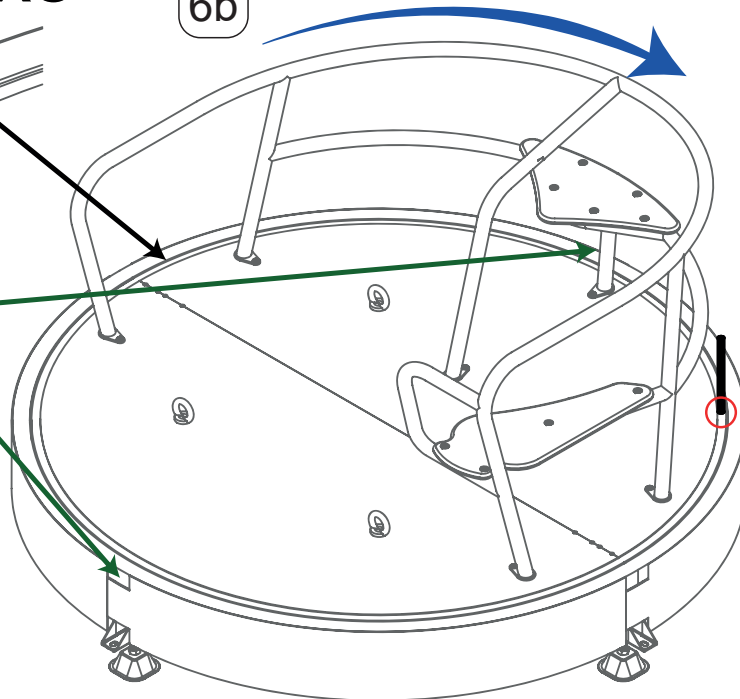


6

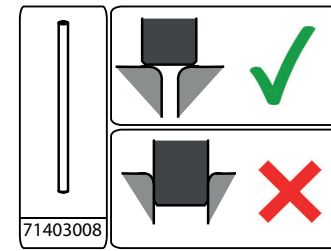
6a



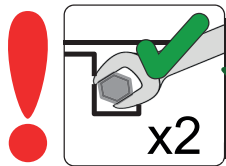
6b



6c

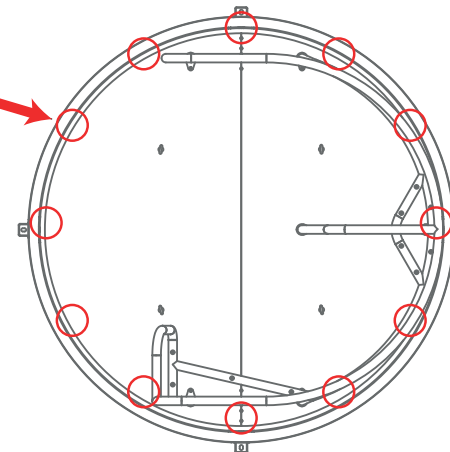


HAGS®

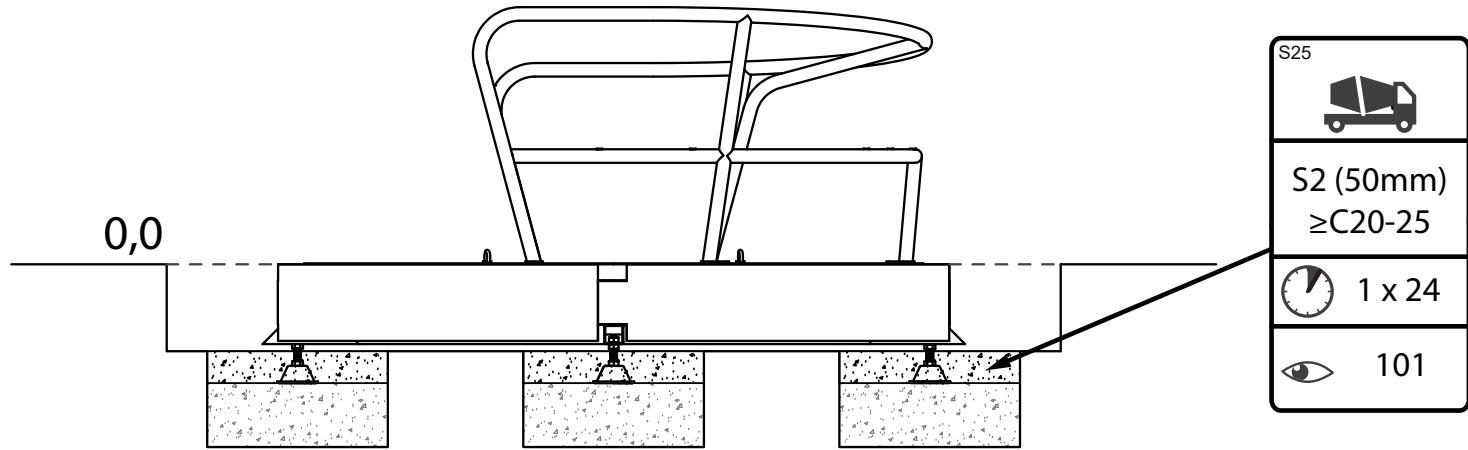


x2

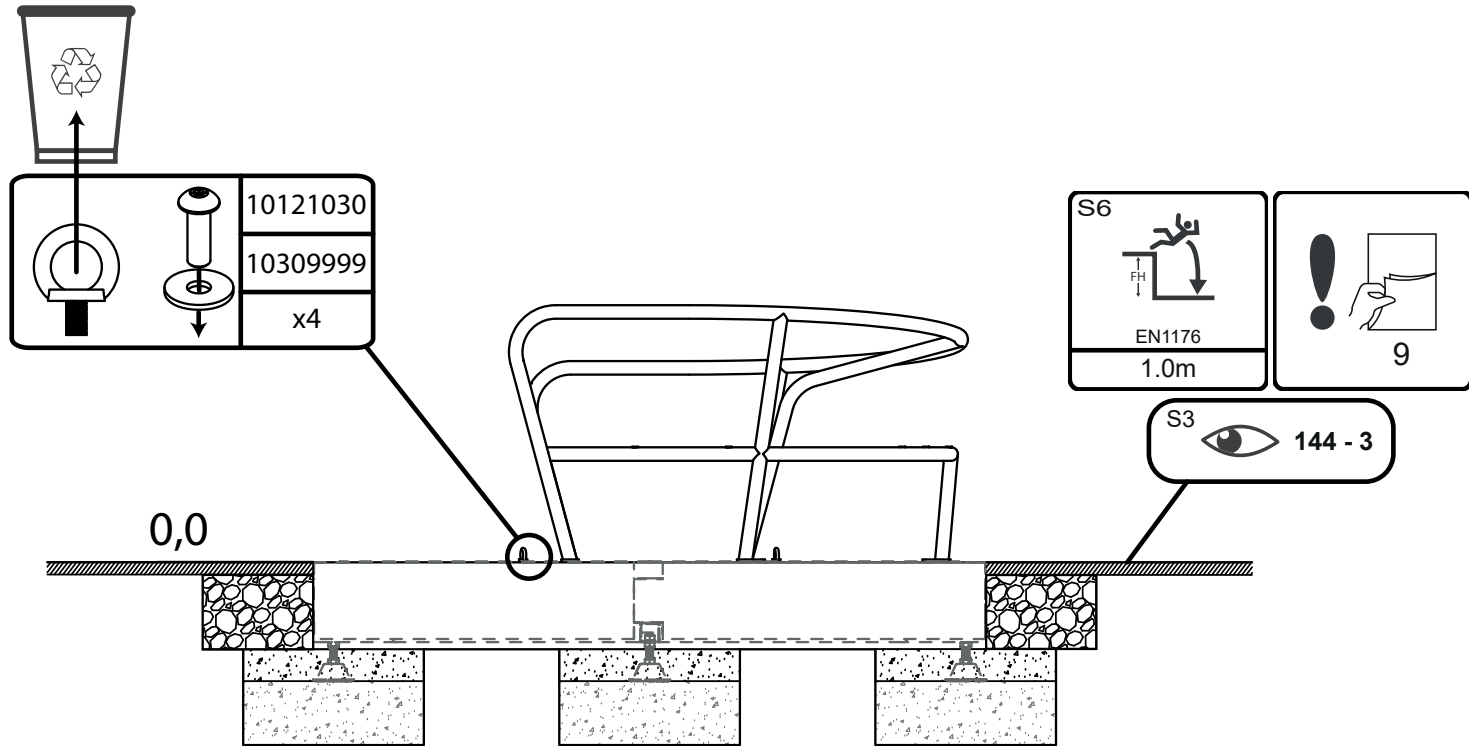
x12



7



8



Appendix A

